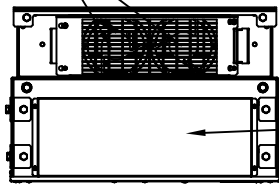


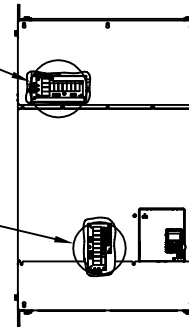
(2) EXTERNAL COOLING FANS



TOP PROTECTIVE COVER

EMC FILTER SWITCH DETAILS

DETAIL B

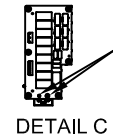


DETAIL C

EMC FILTER SWITCH

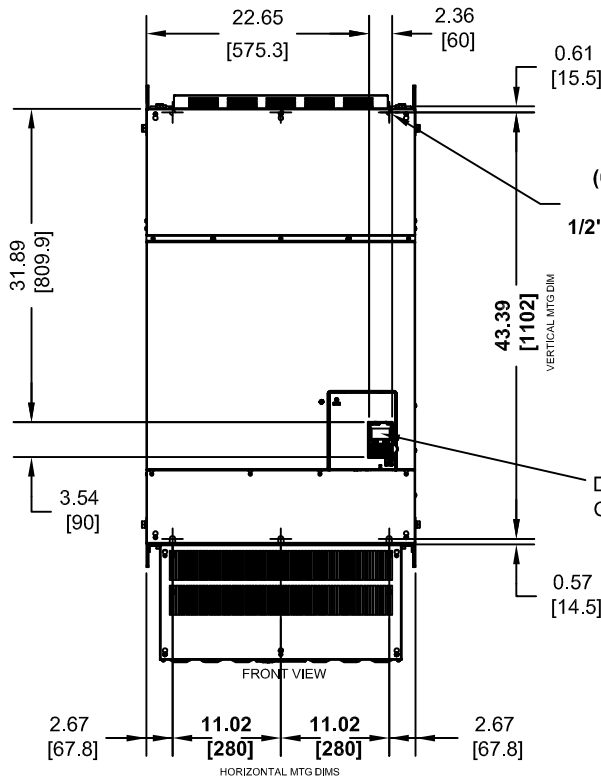


DETAIL B



DETAIL C

EMC FILTER SWITCH

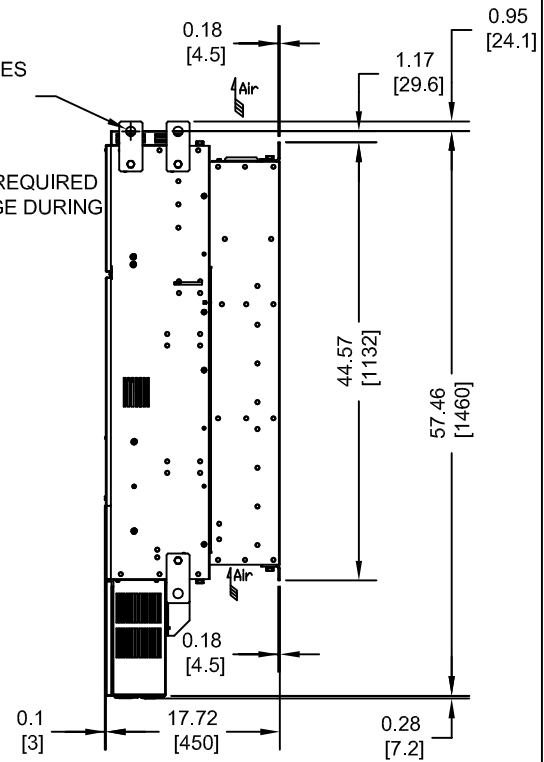


(6)-MOUNTING HOLES FOR 1/2" [M12] SCREWS

DIGITAL OPERATOR

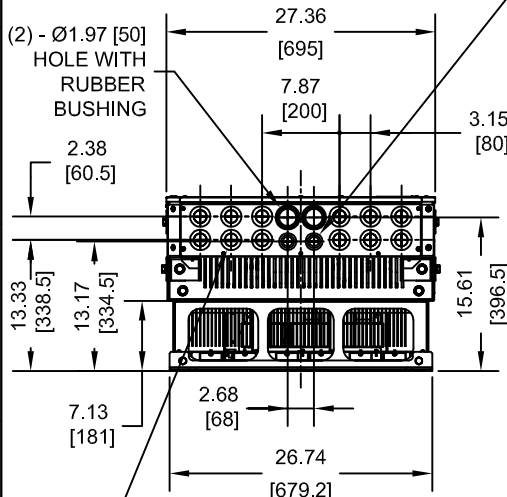
(6)-LIFTING HOLES Ø0.98 [Ø25]

NOTE: SPREADER BAR REQUIRED TO AVOID DAMAGE DURING LIFTING



(2) - Ø1.38 [35] HOLE WITH RUBBER BUSHING

THE DIMENSIONS SHOWN ARE FOR AN IP00 OPEN TYPE DRIVE THAT HAS BEEN CONVERTED TO A NEMA TYPE 1 DRIVE BY ADDING THE PARTS FROM NEMA 1 KIT PART NUMBER EZZ022745F



(2) - Ø1.97 [50] HOLE WITH RUBBER BUSHING

2.38 [60.5]

13.33 [338.5]
13.17 [334.5]

7.13 [181]

(12) - Ø1.73 [44] HOLE WITH RUBBER BUSHING

MODEL # CIMR-UU	VOLTAGE 3-PHASE (VAC)	OUTPUT CURRENT (A)		WEIGHT LBS (Kg)	WEIGHT WITH EMC FILTER LBS (Kg)	HEAT LOSS (W)					
		ND	HD			ND (Fc=4kHz)			HD (Fc=4kHz)		
						INT	EXT	TOT	INT	EXT	TOT
4□0302□□□	380/500*	302	240	595 (270)	613 (278)	857	5202	6059	689	3867	4556
4□0361□□□		361	302	595 (270)	613 (278)	863	5434	6297	735	4384	5119
4□0414□□□		414	361	595 (270)	613 (278)	1012	6444	7456	902	5563	6465

NOTES:
 □ DENOTES A-Z
 □□ DENOTES AAA-ZZZ
 * - FOR MODELS WITH INTEGRAL EMC FILTER,
 VOLTAGE RATING IS 380/480.

INT=INTERNAL COMPONENTS
 EXT=EXTERNAL HEATSINK
 TOT=TOTAL

FOR ADDITIONAL DETAILS AND SPECIFICATIONS, CONSULT MANUAL

TOLERANCES / REFERENCES:



THIS DOCUMENT AND INFORMATION CONTAINED IN IT ARE CONFIDENTIAL, AND CANNOT BE COPIED OR DISCLOSED IN WHOLE OR IN PART WITHOUT THE EXPRESS WRITTEN CONSENT OF YASKAWA AMERICA, INC.

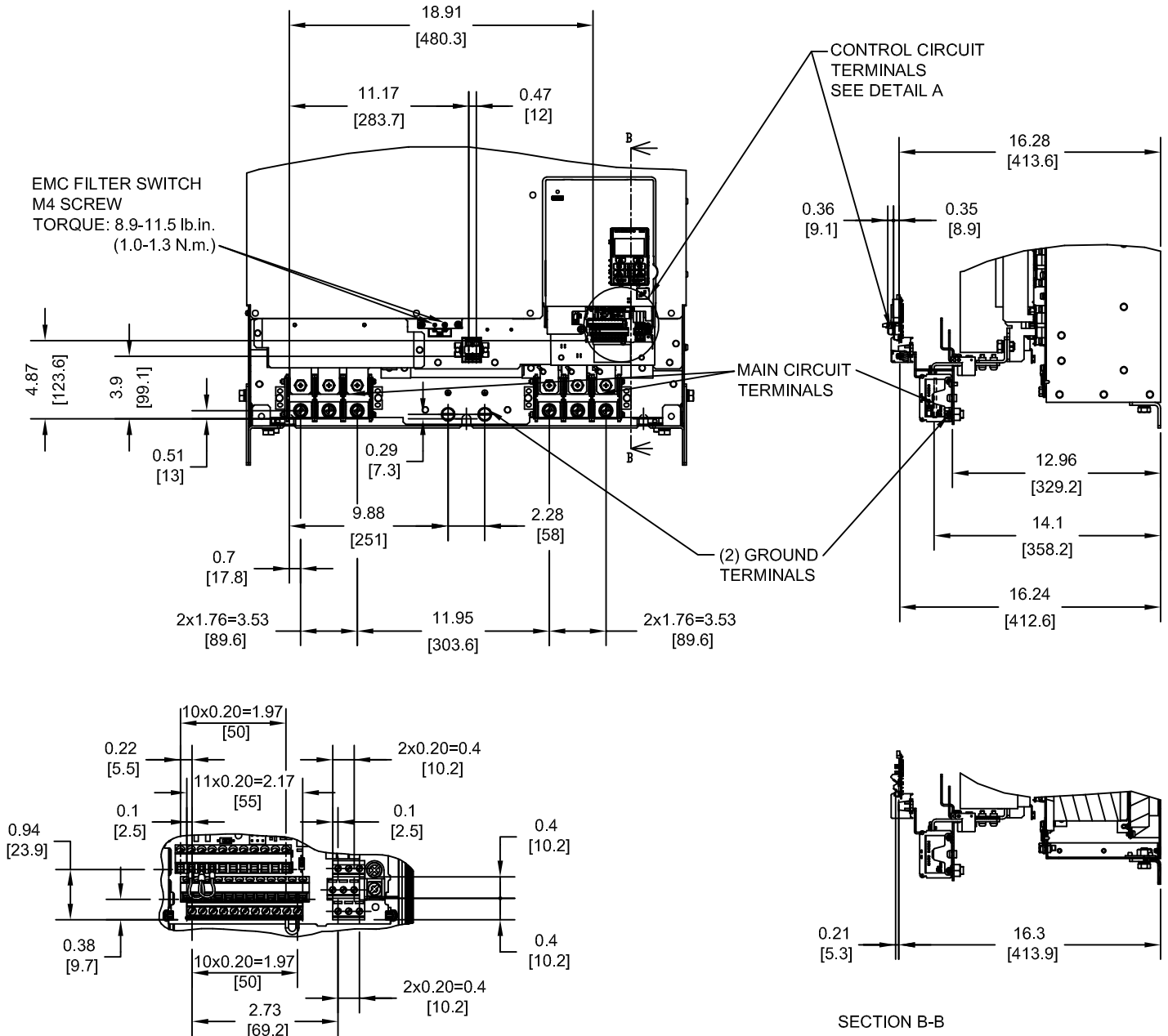
DRAWN: J. MATTAS	DATE 4-13-15
CHECKED: J. PIOTROWSKI	DATE 4-21-15
TECH: J. BORJA	DATE 4-22-15
APPROVED: J. CAIRO	DATE 4-30-15
ORIGINAL DESIGN:	DATE

TITLE: U1000 DIMENSION DRAWING FRAME SIZE 5 NEMA TYPE 1 ENCLOSURE 4□0302, 4□0361 AND 4□0414		
SIZE A	REVISION R00	PAGE 1 of 4
DRAWING #: DD.U1K.FR5.N1		

UNITS: IN[mm] SCALE: 1:20

TERMINAL AND WIRING INFORMATION FOR: UU4□0302 AND UU4□0361

TERMINAL AND WIRING DETAILS (SCALE 1:10)



DETAIL A (SCALE 1:3)
CONTROL CIRCUIT
TERMINALS

TERMINAL AND WIRE SPECIFICATIONS FOR MAIN CIRCUIT AND GROUND

MODEL # CIMR-UU	TERMINAL SYMBOL	TERMINAL SCREW	CLAMPING TORQUE lb.in.(N.m.)	WIRE RANGE AWG(mm ²)	
4□0302 4□0361	R/L1, S/L2, T/L3	M10	133 TO 177 (15 TO 20)	(2)10 TO 4/0 (6 TO 95)	
	U/T1, V/T2, W/T3				
	p1, n1	M4		10.6 TO 17.7 (1.2 TO 2.0)	14 TO 12 (2.5 TO 4)
	⊕	M12		278 TO 347 (31.4 TO 39.2)	1 TO 300 (35 TO 150)

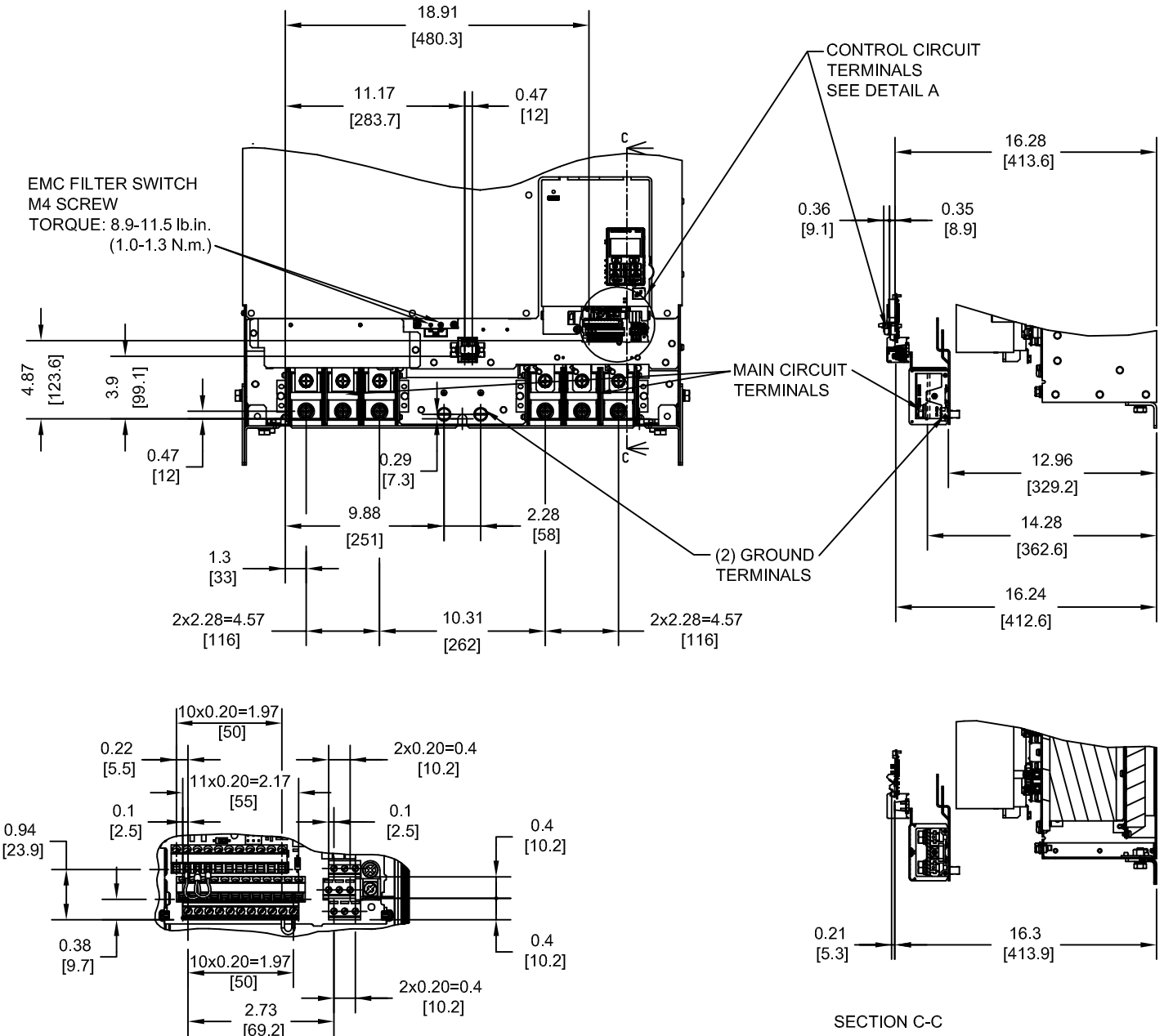
NOTE: REFER TO APPLICABLE CODES FOR PROPER WIRE TYPE AND SIZE

TOLERANCES / REFERENCES:			DRAWN: J. MATTAS	DATE 4-13-15	TITLE: U1000 DIMENSION DRAWING		
			CHECKED: J. PIOTROWSKI	DATE 4-21-15	FRAME SIZE 5		
		TECH: J. BORJA		DATE 4-22-15	NEMA TYPE 1 ENCLOSURE		
		APPROVED: J. CAIRO		DATE 4-30-15	SIZE A	REVISION R00	PAGE 2 of 4
UNITS: IN[mm]	SCALE: BY VIEW	ORIGINAL DESIGN: -		DATE -	DRAWING #: DD.U1K.FR5.N1		

THIS DOCUMENT AND INFORMATION CONTAINED
IN IT ARE CONFIDENTIAL, AND CANNOT BE
COPIED OR DISCLOSED IN WHOLE OR IN PART
WITHOUT THE EXPRESS WRITTEN CONSENT
OF YASKAWA AMERICA, INC.

TERMINAL AND WIRING INFORMATION FOR: UU4□0414

TERMINAL AND WIRING DETAILS (SCALE 1:10)




DETAIL A (SCALE 1:3)
CONTROL CIRCUIT
TERMINALS

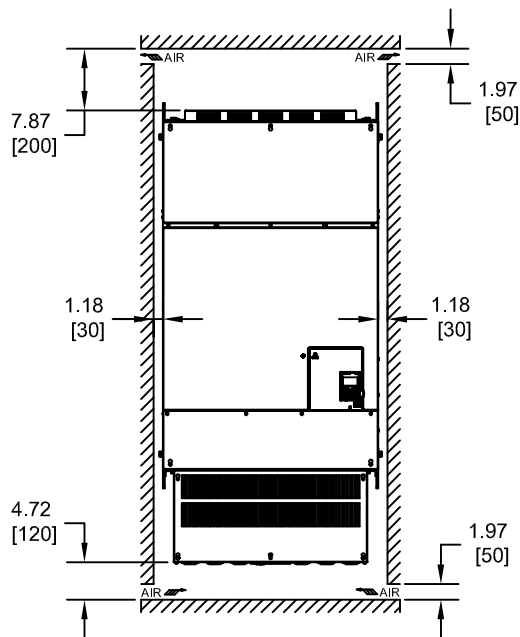
TERMINAL AND WIRE SPECIFICATIONS FOR MAIN CIRCUIT AND GROUND

MODEL # CIMR-UU	TERMINAL SYMBOL	TERMINAL SCREW	CLAMPING TORQUE lb.in.(N.m.)	WIRE RANGE AWG(mm ²)
4□0414	R/L1, S/L2, T/L3	M12	221 TO 310 (25 TO 35)	(2)8 TO 300kcmil (10 TO 150)
	U/T1, V/T2, W/T3			
	p1, n1	M4	10.6 TO 17.7 (1.2 TO 2.0)	14 TO 12 (2.5 TO 4)
	⊕	M12	278 TO 347 (31.4 TO 39.2)	1/0 TO 450 (50 TO 240)

NOTE: REFER TO APPLICABLE CODES FOR PROPER WIRE TYPE AND SIZE

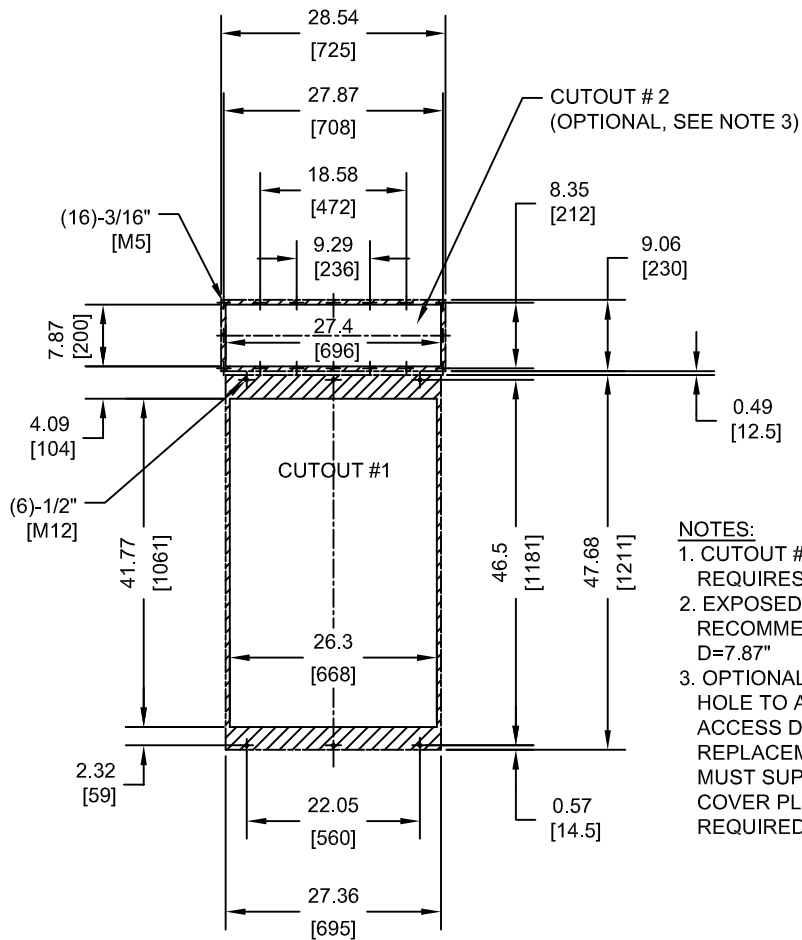
TOLERANCES / REFERENCES:		 THIS DOCUMENT AND INFORMATION CONTAINED IN IT ARE CONFIDENTIAL, AND CANNOT BE COPIED OR DISCLOSED IN WHOLE OR IN PART WITHOUT THE EXPRESS WRITTEN CONSENT OF YASKAWA AMERICA, INC.	DRAWN: J. MATTAS	DATE: 4-13-15	TITLE: U1000 DIMENSION DRAWING FRAME SIZE 5 NEMA TYPE 1 ENCLOSURE 4□0302, 4□0361 AND 4□0414	
UNITS: IN[mm]			CHECKED: J. PIOTROWSKI	DATE: 4-21-15		SIZE: A
SCALE: BY VIEW			TECH: J. BORJA	DATE: 4-22-15		REVISION: R00
			APPROVED: J. CAIRO	DATE: 4-30-15		PAGE: 3 of 4
		ORIGINAL DESIGN: -	DATE: -	DRAWING #: DD.U1K.FR5.N1		

MINIMUM INSTALLATION CLEARANCES (SCALE 1:25)



NOTE:
FOR SIDE-BY-SIDE MOUNTING
CONSULT MANUAL

PANEL CUTOUT FOR EXTERNAL HEATSINK
MOUNTING CONFIGURATION (SCALE 1:25)



NOTES:

1. CUTOUT #1: EXTERNAL HEATSINK, REQUIRES MOUNTING KIT
2. EXPOSED HEATSINK RECOMMENDED CLEARANCE D=7.87"
3. OPTIONAL CUTOUT #2 IS AN ACCESS HOLE TO ALLOW FOR FRONT ACCESS DURING HEATSINK COOLING FAN REPLACEMENT. THE PANEL BUILDER MUST SUPPLY THE APPROPRIATE COVER PLATE AND HARDWARE REQUIRED TO CLOSE THIS OPENING.

FOR ADDITIONAL DETAILS AND SPECIFICATIONS, CONSULT MANUAL

TOLERANCES / REFERENCES:		<p>THIS DOCUMENT AND INFORMATION CONTAINED IN IT ARE CONFIDENTIAL, AND CANNOT BE COPIED OR DISCLOSED IN WHOLE OR IN PART WITHOUT THE EXPRESS WRITTEN CONSENT OF YASKAWA AMERICA, INC.</p>	DRAWN: J. MATTAS CHECKED: J. PIOTROWSKI TECH: J. BORJA APPROVED: J. CAIRO ORIGINAL DESIGN: -	DATE: 4-13-15 DATE: 4-21-15 DATE: 4-22-15 DATE: 4-30-15 DATE: -	TITLE: U1000 DIMENSION DRAWING FRAME SIZE 5 NEMA TYPE 1 ENCLOSURE 4□0302, 4□0361 AND 4□0414
UNITS: IN[mm]	SCALE: BY VIEW		SIZE: A REVISION: R00 PAGE: 4 of 4	DRAWING #: DD.U1K.FR5.N1	